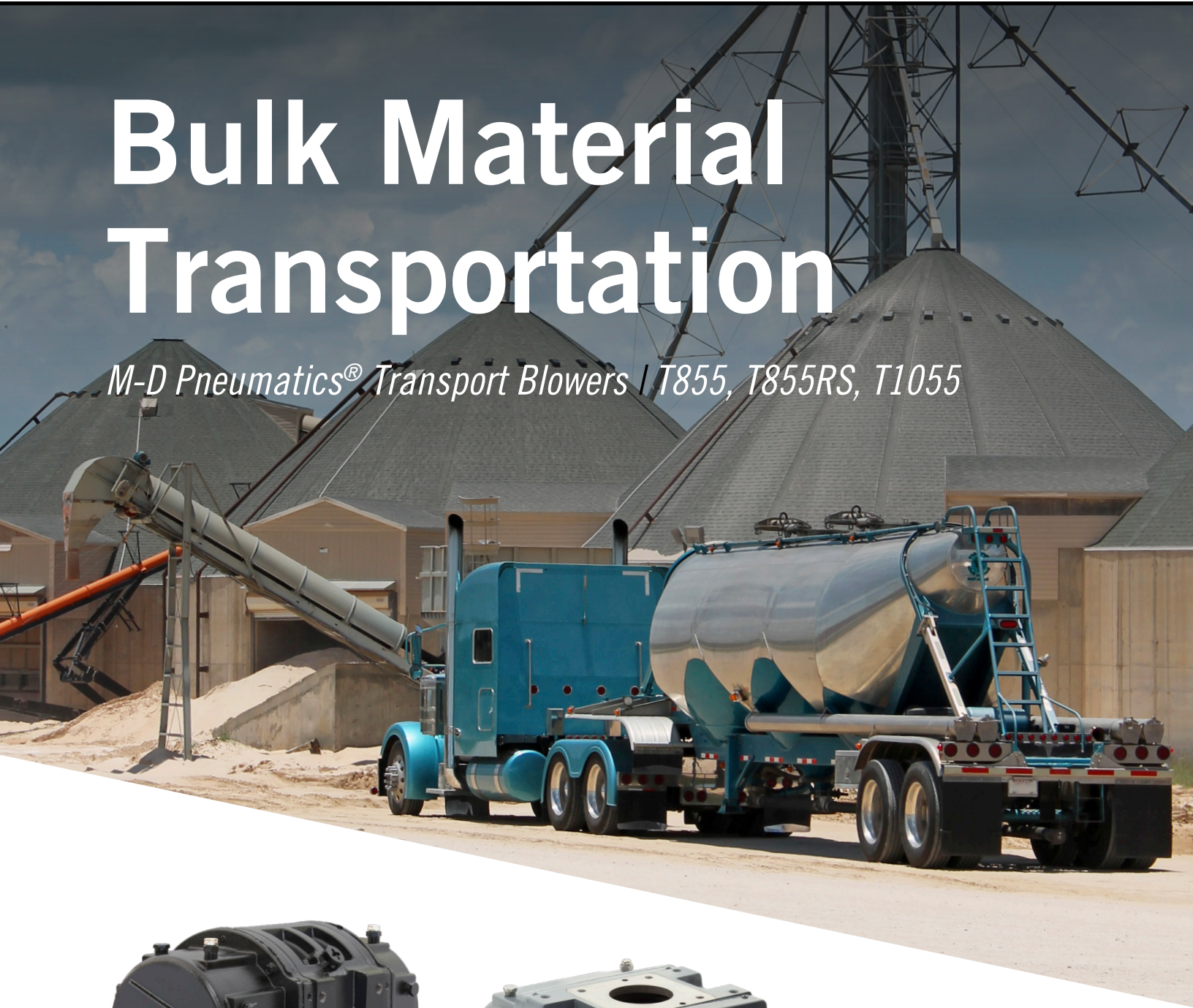


M-D Pneumatics®

Bulk Material Transportation

M-D Pneumatics® Transport Blowers | T855, T855RS, T1055



M-D Pneumatics | www.mdpneumatics.com | (800) 825-6937



The highest efficiency transport blower just got even better!

T855 with RS Advanced Technology™

The T855 transport blower with RS Advanced Technology by M-D Pneumatics® offers the most expansive range of flow than any blower in the transport market. Able to operate at slower speeds while moving more product than its predecessors, the T855RS can reduce offload times by as much as 25%*, resulting in significantly reduced fuel consumption.



T855RS
Transport Blower

SAVE MORE THAN
\$3,000*
ANNUALLY

with **RS ADVANCED TECHNOLOGY**

- FASTER OFFLOADS = SAVE TIME
- LOWER RPMS = SAVE FUEL
- FEWER OIL CHANGES = SAVE TIME & MONEY

* Savings per truck, based on dry cement hauling field tests performed in 2020

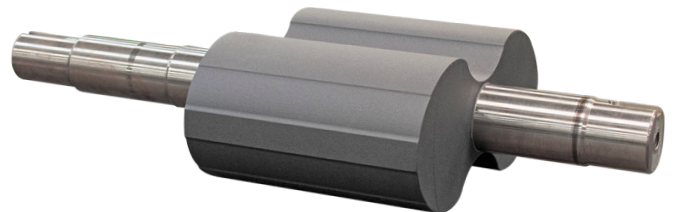
M-D Pneumatics' recipe for increased efficiency

Now equipped with RS Advanced Technology, a patent pending coating applied to the rotor lobes, the T855RS enhancement drastically reduces “slip”, or air that is inefficiently trapped and recirculated in the blower rather than being pushed out through the discharge where it can then move your product.

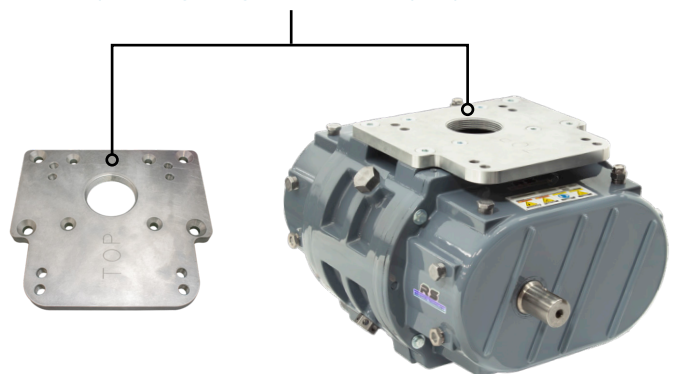
With the T855RS, more discharge air is pushed out while cooler inlet air is being taken in. This results in less torque required, more “useful” air flow, lower temperatures in any operating condition, and quieter operation.

M-D Pneumatics' new adaptor plate now allows you to easily mount the T855RS to most existing vertical flow, L-shape brackets. The T855RS operates at speeds provided by most existing PTOs and setups, converting easily to existing plumbing. Made of lightweight aluminum and provided with mounting hardware, transitioning to the T855RS significantly reduces maintenance downtime and some of the costs associated with installing another screw-style blower.

RS Advanced Technology™
Patent pending on rotor
lobes for reduced slip



Optional lightweight aluminum adaptor plate



Save Operating Costs | Reduce Slip and Sound | Reach New Pressure and Vacuum Levels



Loaded with Enhanced Features for *Improved Performance*

Fewer Oil Changes

M-D Pneumatics is proud to offer the largest transport blower oil sumps, providing you with better cooling than previous models. Spend more time hauling and increase your efficiency with fewer oil changes. With the addition of RS Advanced Technology, you can increase the length of time between oil changes up to 4,000 hours with no loss of performance. Every transport blower is shipped with one (1) gallon of MD full synthetic oil to ensure the optimal lubrication of bearings, gears, and seals.

Longest Bearing Life

Experience the toughest transport blower on the market. The M-D Pneumatics design with larger bearings than competitive brands delivers a more reliable machine with a longer life cycle. M-D Pneumatics' bearing basic load rating is significantly higher with over 8 lbs of additional bearing mass than the closest competitor, resulting in hundreds of dollars saved in maintenance costs over time.

Simple Design

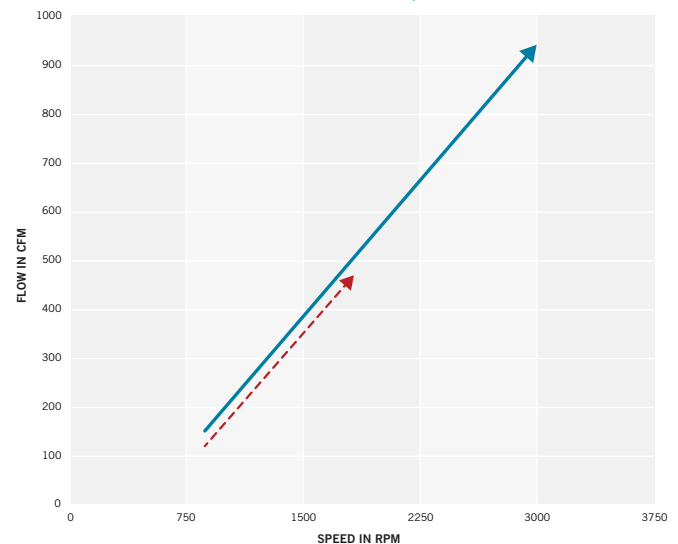
The T855/T855RS/T1055 design has fewer sealing surfaces meaning fewer parts, fewer leak paths, and fewer areas that could allow salt or debris to collect and corrode.

RS Performance Advantage

Reduced operating speeds allows the T855RS to operate quieter and at cooler temperatures. The noise level per CFM is as significant as 7 db lower, reducing the need for costly sound attenuation. Cooler operation also means less maintenance costs, fewer oil changes, and fewer overheating issues. These enhancements mean both time and cost savings, with yearly operational savings of over \$3,000*.

**Savings per truck, based on dry cement hauling field tests performed in 2020*

12 PSIG Pressure Operating Parameter Comparisons



T855 with RS Advanced Technology Operating Parameters

Common Competitor Screw-Type Operating Parameters

Features & Benefits

IP69K Rated Breather:

Industry-leading breather designed to withstand high pressure cleaning to keep water out of oil

High Efficiency Blower:

Use up to 15% less HP than other blowers, saving on fuel costs

Large Bearings:

64% longer life with the highest L10 bearing rating on a transport blower

Streamlined Design:

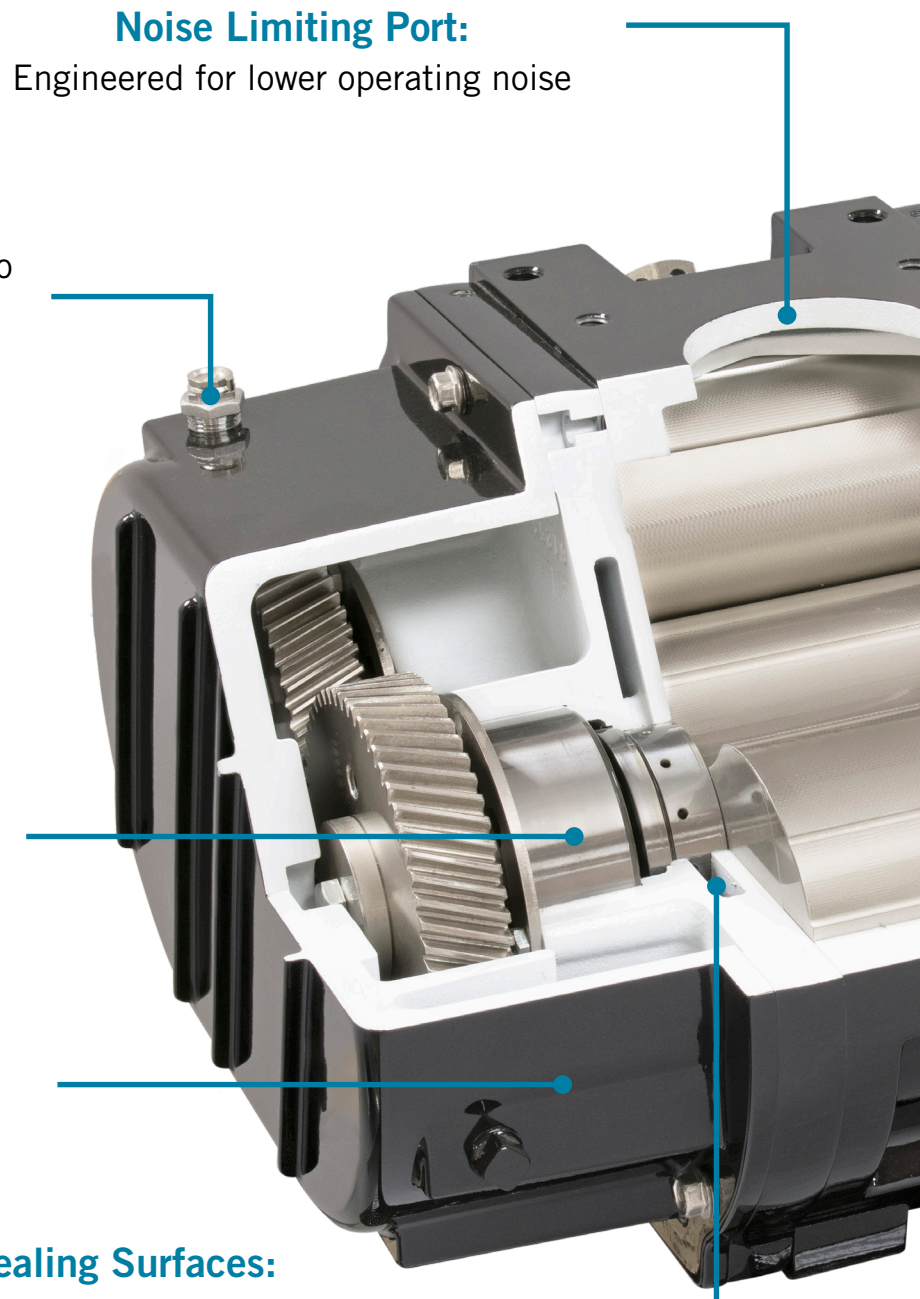
Flat surfaces reduce salt and road debris buildup

Fewer Sealing Surfaces:

Designed to minimize oil leaks

Smallest Footprint in its Class:

Optimized weight that is 40 lbs lighter with improved quality design



Bolt-on Cast Flange:

Easy installation and service
(not pictured)

Dual Triple-Lip Oil Seals:

Dual triple-lip seal design is engineered to prevent water, salt, sand, dust, and other debris from entering oil sumps

Stronger Drive Shaft:

Less susceptible to bending to help ensure long life

Large Oil Capacity:

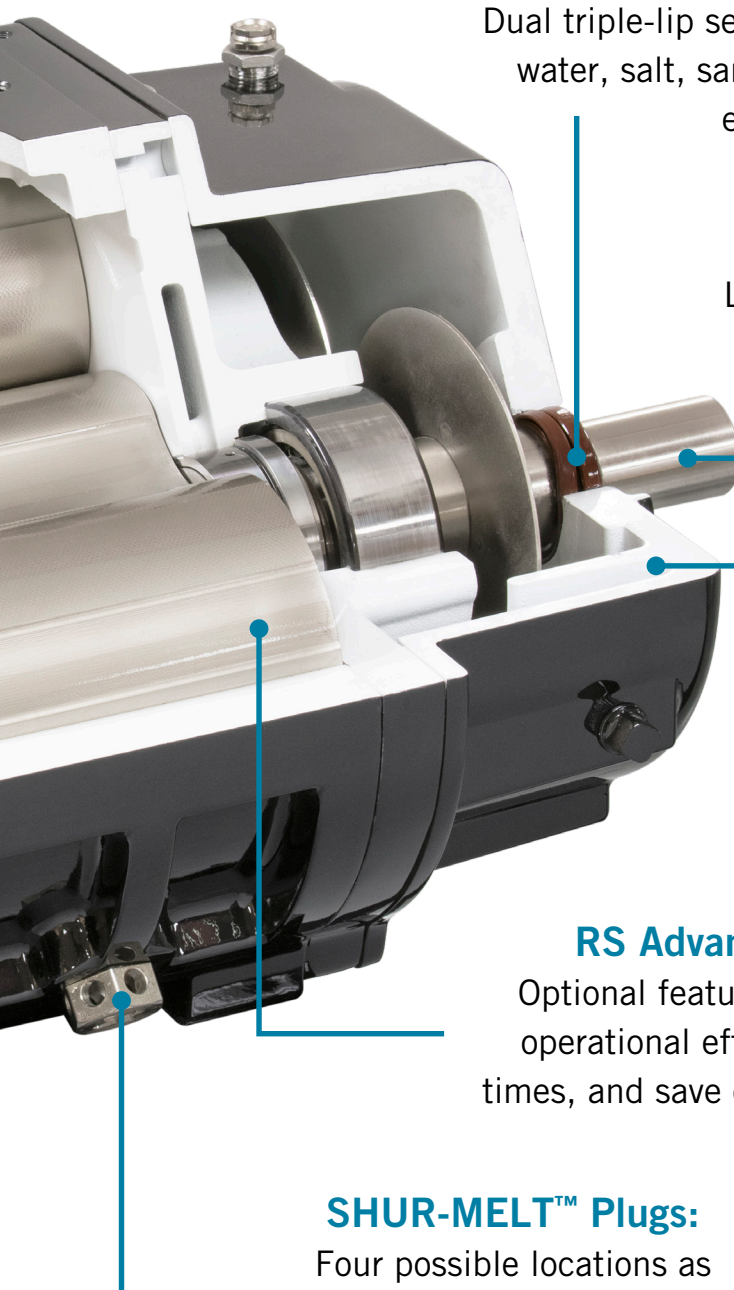
Designed with sumps at both ends, no grease required, and only needing annual oil changes

RS Advanced Technology:

Optional feature designed to increase operational efficiency, reduce offload times, and save on annual operation costs

SHUR-MELT™ Plugs:

Four possible locations as determined by optional blower mounting positions



T1055 Specifications

Air Flow: 450 – 1300 CFM
 RPM Range: 1450 – 3000
 Pressure: 18 psi continuous
 Vacuum: 17" Hg continuous
 Blower Weight: 446 lbs dry (450 lbs with 66 oz oil)
 Dimensions: 25.2"L x 12.13"H x 17.97"D
 Warranty: 18/12 months



T855 Specifications

Air Flow: 250 – 1000 CFM
 RPM Range: 1000 – 3000
 Pressure: 20 psi continuous
 Vacuum: 17" Hg continuous
 Blower Weight: 376 lbs dry (380 lbs with 66 oz oil)
 Dimensions: 22.7"L x 12.13"H x 17.97"D
 Warranty: 18/12 months



T855RS Specifications

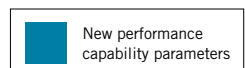
Air Flow: 121 – 1010 CFM
 RPM Range: 600 – 3000
 Pressure: 20 psi continuous
 Vacuum: 18" Hg continuous
 Blower Weight: 376 lbs dry (380 lbs with 66 oz oil)
 Dimensions: 22.7"L x 12.13"H x 17.97"D
 Warranty: 18/12 months



Reach Never-Before-Seen Performance with T855RS | Pressure Operating Parameters

RPM	7 PSIG		12 PSIG		16 PSIG		18 PSIG		20 PSIG	
	CFM	BHP	CFM	BHP	CFM	BHP	CFM	BHP	CFM	BHP
600	127	6.5	–	–	–	–	–	–	–	–
750	194	5.8	147	13.7	–	–	–	–	–	–
1000	281	7.8	236	18.3	212	24.4	201	27.4	–	–
1250	333	8.9	323	22.9	301	30.5	289	34.2	278	38.0
1500	384	10.1	410	27.5	388	36.5	377	41.1	367	45.6
1750	488	12.4	497	32.1	475	42.6	465	47.9	454	53.2
2000	627	15.5	584	36.6	562	48.7	552	54.8	542	60.8
2500	800	19.4	757	45.8	736	60.9	726	68.4	716	76.0
3000	973	23.3	930	55.0	909	73.1	899	82.1	889	91.2

TABLE KEY



The Quality Weight Difference

M-D Pneumatics transport blower bearing load rating data is higher than competitors and contains over 8 lbs of additional mass. Bearing life is longer due to quality weight.

T1055 & T855/T855RS | Oil Capacities

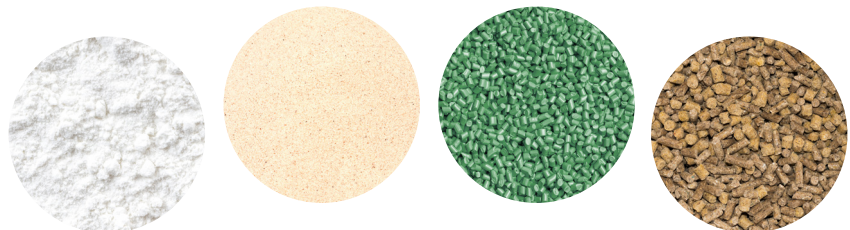
Location	Horizontal Airflow (Standard)	Vertical Airflow (Optional)
Drive End	1.06 Quarts / 34 oz / 1005.5 mL	1.68 Quarts / 54 oz / 1597 mL
Non-Drive (Gear) End	1 Quart / 32 oz / 946.3 mL	1.75 Quarts / 56 oz / 1656 mL

Bearing Statistics

M-D Pneumatics	Competitors
50 mm (1.97 in) Depth	40 mm (1.57 in) Depth
3.4 kg (7.5 lb) Gear End	1.86 kg (4.1 lb) Gear End
3.54 kg (7.8 lb) Drive End	1.36 kg (2.99 lb) Drive End
6.94 kg (15.3 lb) Total Bearing Weight	3.22 kg (7.09 lb) Total Bearing Weight

M-D Pneumatics Transport Blowers

BULK HAULING VERSILITY



Dry Bulk Materials





M-D Pneumatics®

CONTACT US

M-D Pneumatics

4840 W. Kearney Street

Springfield, MO 65803

Phone: (800) 825-6937

LOCAL CONTACT:

www.mdpneumatics.com